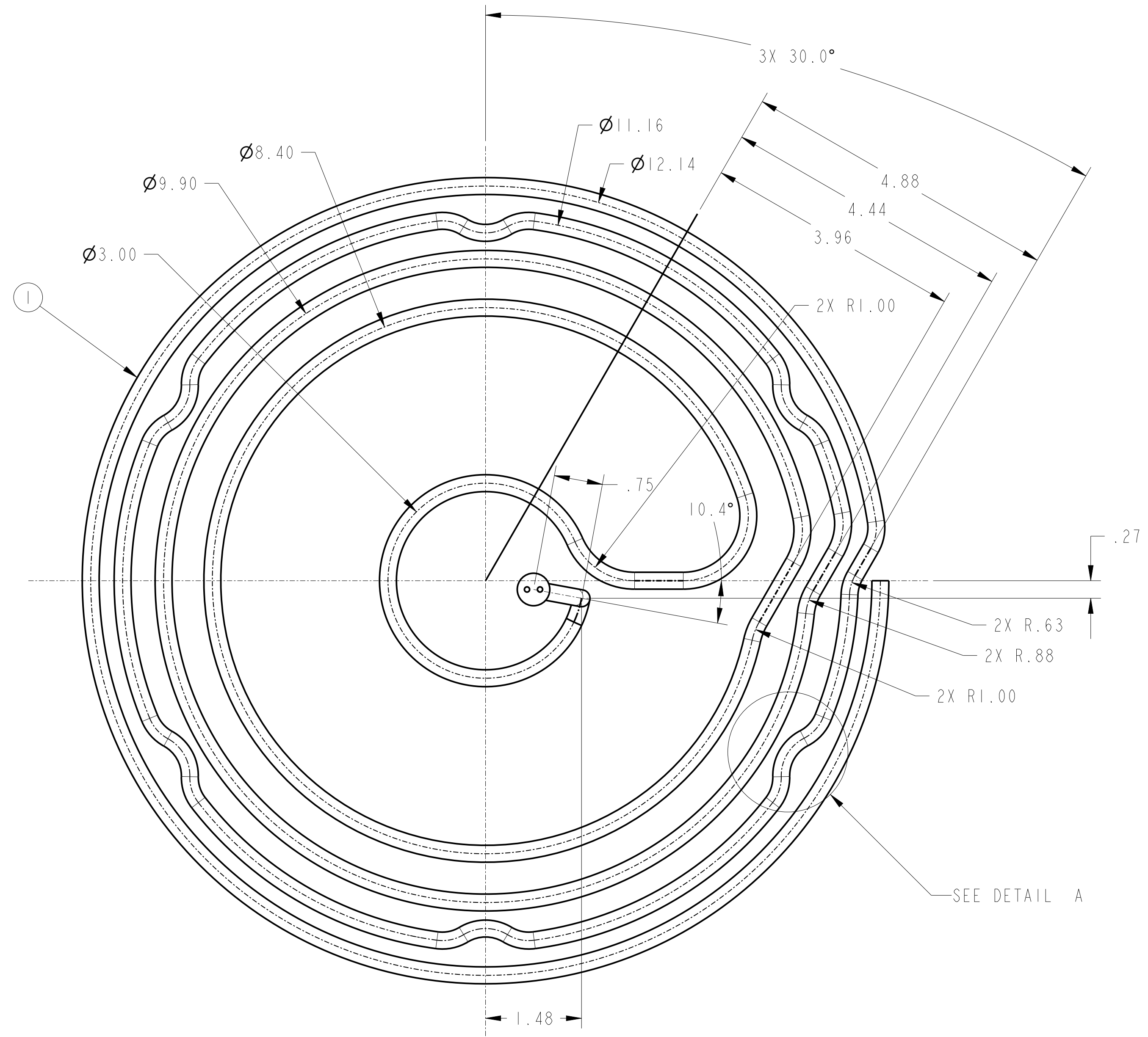
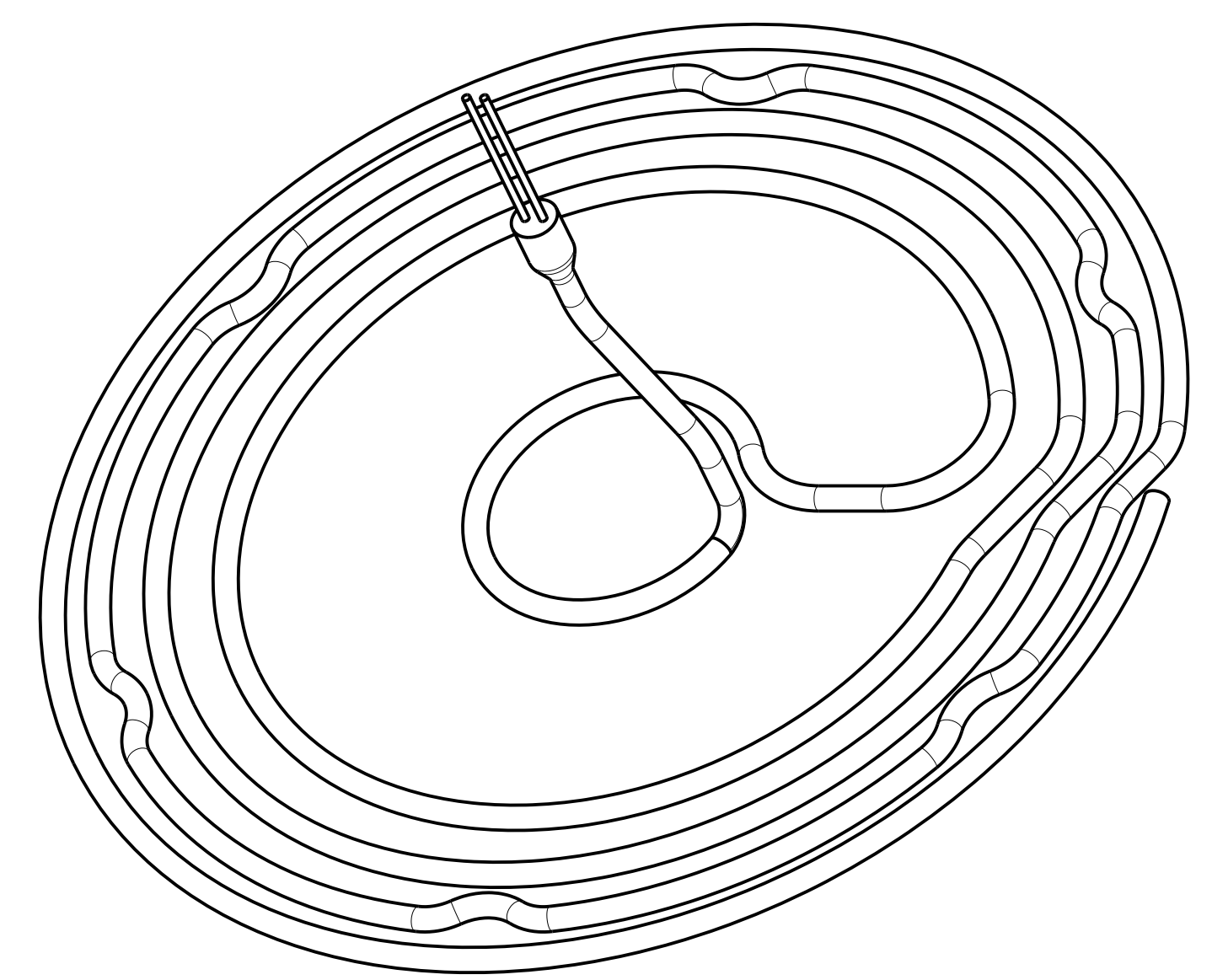
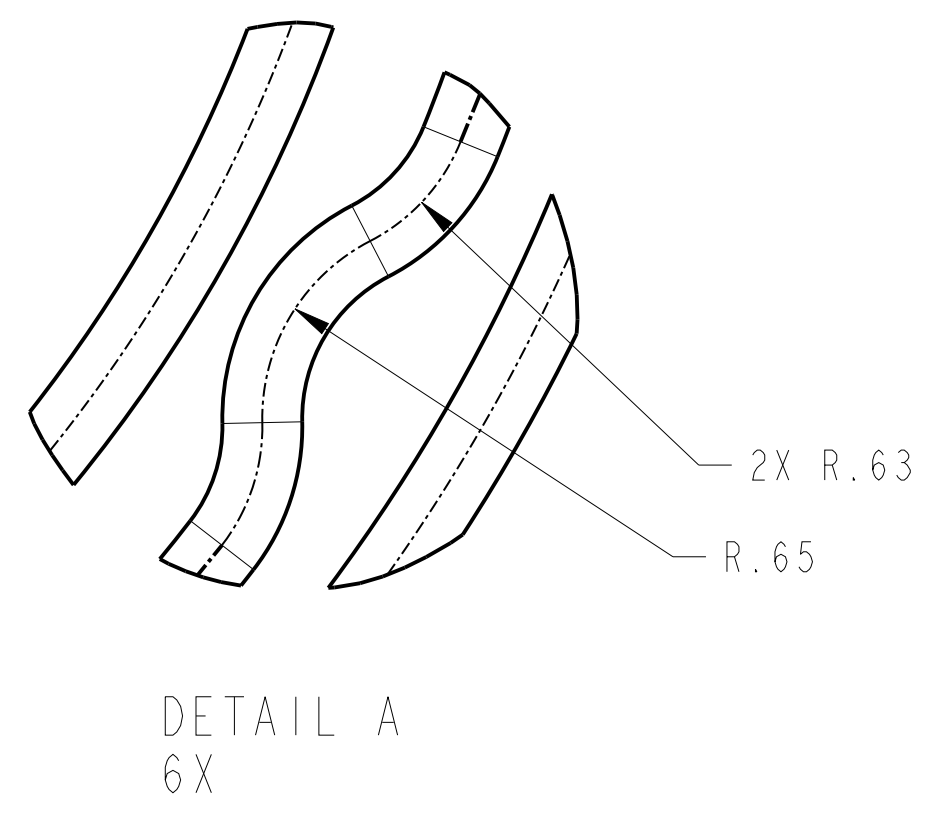
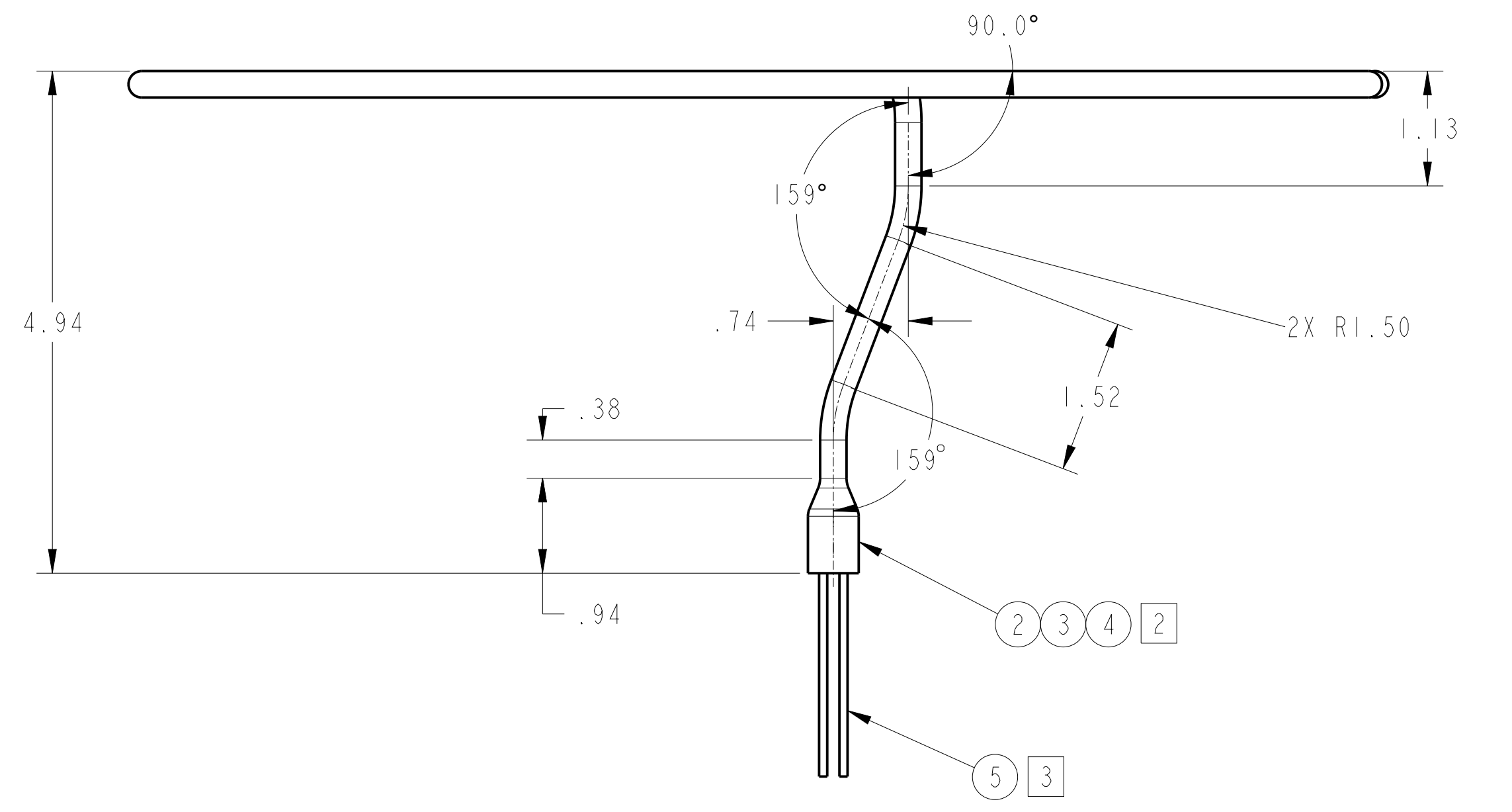


REVISIONS							
REV	ZONE	DESCRIPTION	DRAWN	CHECK	EE	ME	DATE
A	---	INITIAL RELEASE	NEELKAMAL	SWAYAM	JITENDER	SWAYAM	06/28/2021



NOTES: (UNLESS OTHERWISE SPECIFIED)

1. HEATER SPECIFICATIONS:
 - 1.1 OPERATING VOLTAGE: 208 VAC(NOMINAL), 50/60 Hz.
 - 1.2 TOTAL HEATER POWER (AT 550°C TABLE TEMPERATURE): 4000W +/-10% AT 208 VAC. UNIFORMLY DISTRIBUTED ALONG THE HOT ZONE.
 - 1.3 MAXIMUM CURRENT: 23 AMPS.
 - 1.4 HEATER SHALL BE DESIGNED FOR LIFE OF THREE YEARS MINIMUM, OPERATING AT 550°C.
 - 1.5 SHEATH MATERIAL: SST 304. PORTION OF SHEATH TO BE BRAZED SHALL BE NICKEL PLATED 0.0002 TO 0.001 THICK (SULFAMATE PROCESS NOT ELECTROLESS).
 - 1.6 ELECTRICAL LEAKAGE CURRENT LESS THAN 250 MICROAMPS AT 208 VAC AND 550°C TABLE TEMP.
 - 1.7 HEATING ELEMENT MUST BE CE MARKED AND NRTL APPROVED (ie. UL).
2. SEE BOM ITEMS AND THEIR SPEC. FOR DETAILS AND DIMENSIONS.
3. CONDUCTORS ITEM 5, TO BE 72 INCHES LONG, RATED AT 400°C, AND FLEXIBLE.
4. THE NON-HEATED TUBE LENGTH TOWARDS LEAD SIDE IS 3.7 INCH (EXCLUDING CONNECTOR).

ITEM NO.	PART NO.	DESCRIPTION	MATERIAL	QTY
5	16-129971-00-11	WIRE, 12AWG HIGH TEMPERATURE INSULATION	FLEXIBLE	1
4	39-101224-00	BACKSHELL, CPC METAL, #22	AMP	1
3	39-129624-00	CONTACT, POWER CPC, 12-16 AWG, M	AMP	5
2	39-129273-00	CONNECTOR, 3P, MS, CPC, M	AMP	1
1	16-129971-00-10-A01	TUBE, .26DIA HEATER	304SST	1

BILL OF MATERIAL				
INCH - UNLESS SPECIFIED: ALL DIMENSIONS ARE INCH DECIMALS: ANGLES: SURFACES: .II ± 0.01 ± 0.5° √ .III ± 0.005				
MATERIAL SEE PART LIST		IRVINE, CA		
FINISH ---		TITLE TUBE, .26DIA HEATER		REV A
INTERPRET DRAWING PER ASME Y14.5-2009		THIRD ANGLE PROJECTION 	SIZE D	DRAWING NO. 16-129971-00-10
DO NOT SCALE DRAWING		SCALE NONE		SHEET 1 OF 1