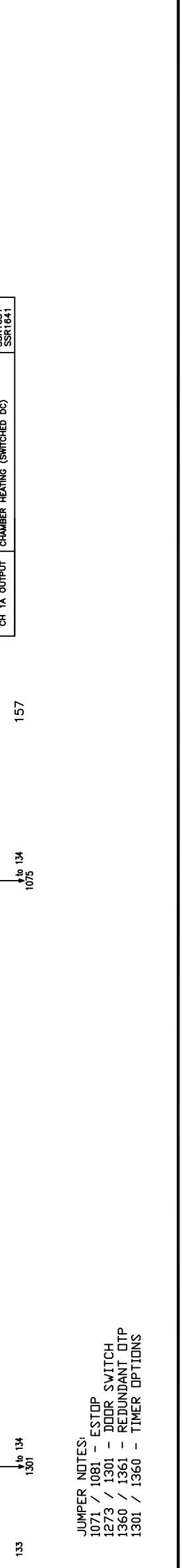
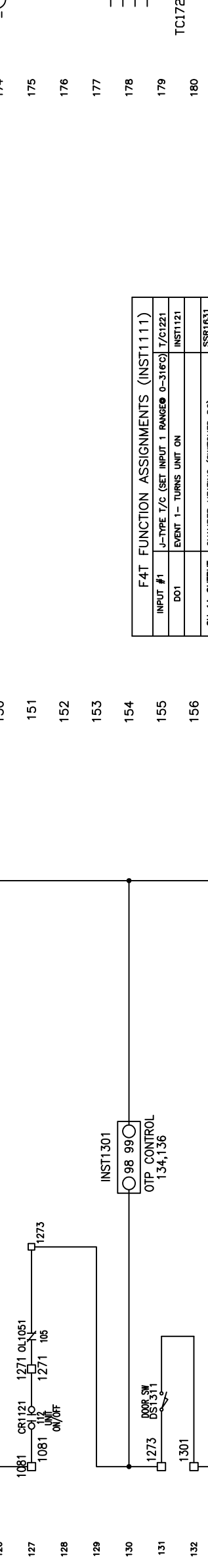
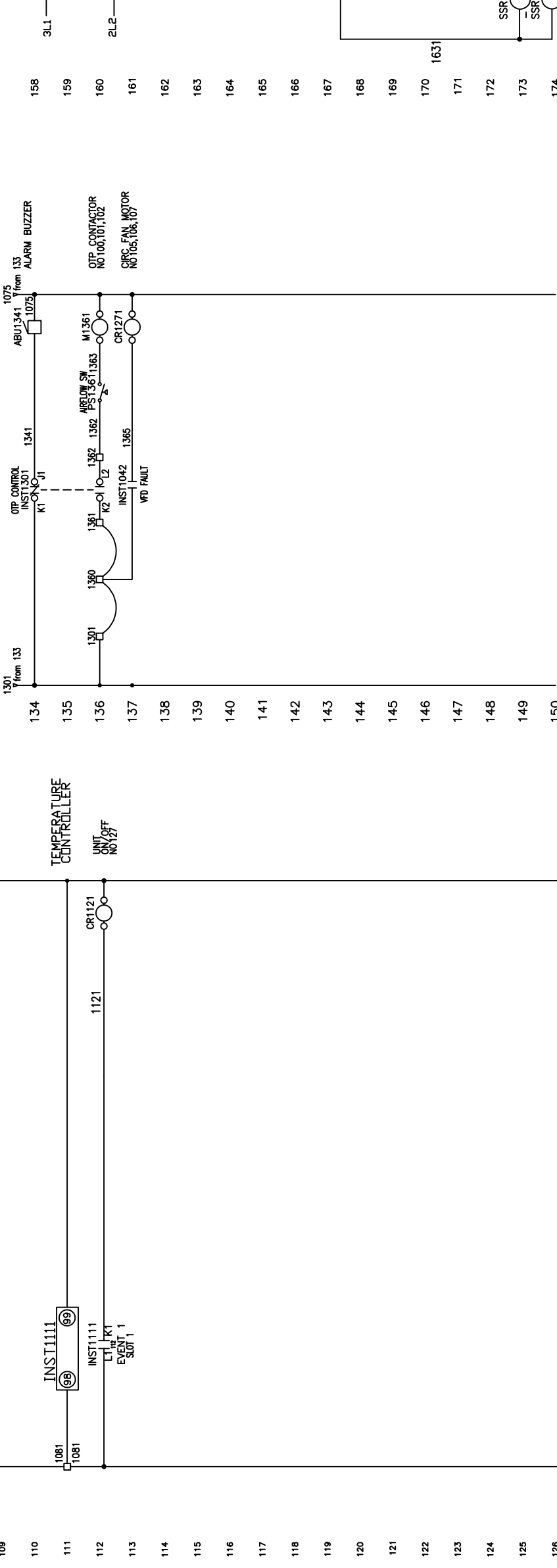
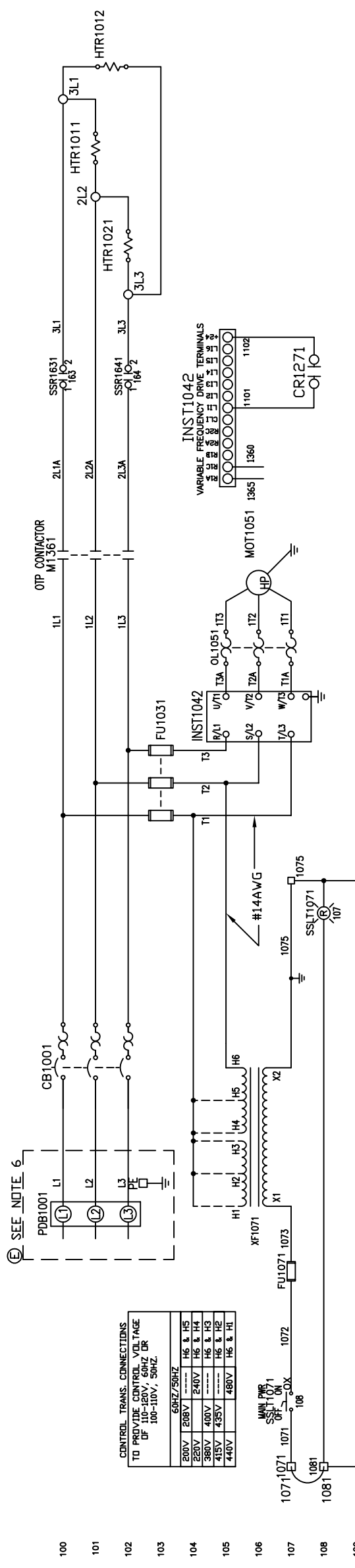


ITEM	QTY	DESCRIPTION	PART/DWG NO
INST1111	--	CONTROLLER, F4T	813828
INST1111	1	F4T MODULE SLOT 1	813839
INST1111	1	F4T MODULE SLOT 2	--
INST1111	1	F4T MODULE SLOT 3	--
INST1111	1	F4T MODULE SLOT 4	--
INST1111	1	F4T MODULE SLOT 5	--
INST1111	1	F4T MODULE SLOT 6	--
CR1121	1	RELAY, CONTROL, 2NO/2NC CONTACTS	260197
COMM1	1	RJ45 CABLE	213441
COMM2	1	RJ45 JACK	260322
COMM3	1	USB PLUG AND CORD	260321

- NOTES:
1. USE FIGURE A TO WIRE HEATERS ON THE FOLLOWING UNITS:
6680-E/F, 6680-JY/G, 7780-JY/G.
 2. USE FIGURE B TO WIRE HEATERS ON THE FOLLOWING UNITS:
8880-JY/G, 9980-JY/G
 3. USE FIGURE C TO WIRE HEATERS ON THE FOLLOWING UNITS:
5580-E/F
 4. USE #16AWG WIRE FOR ALL CONTROL WIRING.
 5. GAUGE FOR POWER WIRING IS CALLED OUT ON BOM DRAWING.
 6. INSTALL PDB1001 & PE ON 8880 & 9980 UNITS ONLY.



TOLERANCE	REV	DESCRIPTION	BY	DATE
±0.25°				

NOTE: THIS DRAWING IS THE PROPERTY OF THERMAL SOLUTIONS. IT IS TO BE KEPT IN CONFIDENCE AND IS NOT TO BE REPRODUCED, COPIED, OR TRANSMITTED IN ANY FORM OR BY ANY MEANS, WITHOUT OUR CONSENT.

TPS
 Blue M
 Griebert
 Lindberg/PH
 Tenney

TPS REFURB

DATE: 11/23/19
 TIME: 1:15
 DRAWN BY: WD124452
 CHECKED BY: [blank]

TPS ELECTRICAL SCHEMATIC
 DWG NO: [blank]
 REV: [blank]